



REFRIGERATION

SERVING THE FOOD INDUSTRY SINCE 1951

49-INCH GELATO DISPLAY CASE

Item: 43118 Model: FR-CN-1200-D



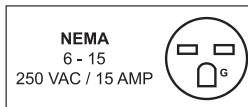
SERVE AND DISPLAY MOUTHWATERING ICE CREAM, GELATO, AND SORBETS

STANDARD FEATURES

- Brilliant Internal LED lights
- Digital temperature controller and display
- Ventilated cooling system
- Automatic defrost
- 4 casters with 2 brakes
- Comes with 12 quarter-size pans



WARRANTY
PARTS AND LABOR



Authorized Dealer

REFRIGERATION

49-INCH GELATO DISPLAY CASE



TECHNICAL SPECIFICATIONS

ITEM NUMBER	43118
MODEL	FR-CN-1200-D
STORAGE VOLUME	600 L
TEMPERATURE RANGE	-18° - -24°C / -0.4° - -11.2°F
GENERAL RATED INPUT POWER	0.65 kW
DEFROST POWER	1.05 kW
RATED CURRENT	4.6A
FOAMING AGENT	C5H10
REFRIGERANT & INJECTION	R404 & 310g
TYPE OF CLIMATE	4
LAMP POWER	6 Watts (LED)
PAN DIMENSIONS	14 2/16" x 6.5" x 4.5"
ELECTRICAL	220V / 60Hz / 1Ph
NET WEIGHT	542.3 lbs. / 246 kg.
GROSS WEIGHT	630.5 lbs. / 286 kg.
NET DIMENSIONS (DWH)	41.9" x 48.8" x 55.5" 1065 x 1240 x 1410 mm
GROSS DIMENSIONS	51.6" x 45" x 61.8" 1310 x 1145 x 1570 mm

PRODUCT DETAILS



Comes with 12 Quarter-size Pans

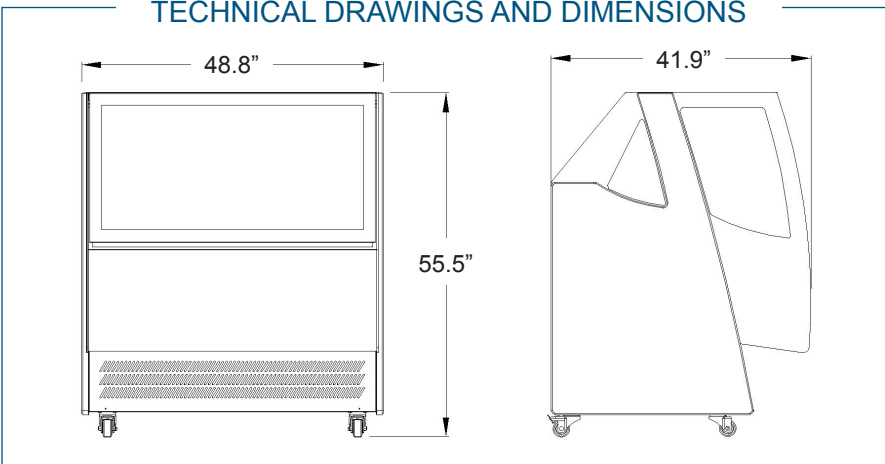


Gelato Display Case w/ Lights On
• 2 LED Lights (6 Watts each)

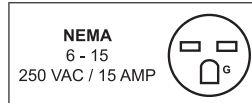


Efficient sliding door at the back for easy access

TECHNICAL DRAWINGS AND DIMENSIONS



WARRANTY
PARTS AND LABOR



OMCAN INC.

Telephone: 1-800-465-0234
Fax: (905) 607-0234
Email: sales@omcan.com
Website: www.omcan.com



Follow us to keep up to date with the latest news and offers



2017.E.O.E